

# BADGER BOX



## ***MORE GRIT THAN AN ANGRY BADGER!***

We set out to create a trench box that was light weight, durable, and tough as nails. Something that would be interchangeable with boxes we sold in the past, but would also allow us to take customer feedback and make changes to improve the product.

Having been in the trench safety industry for 20 years, we know every job site is different and provides a variety of challenges. Badger Box's light weight design makes it the perfect trench box to be transported to the job site by any size pickup truck and set in place with a mini excavator. This trench box is a must have for any plumber, municipality, power or gas company.

We are a small, family owned and operated business, and we are very proud to say Badger Box is 100 % made in America.

# INTRODUCING THE BADGER BOX



**END LOCKING PANELS AVAILABLE**



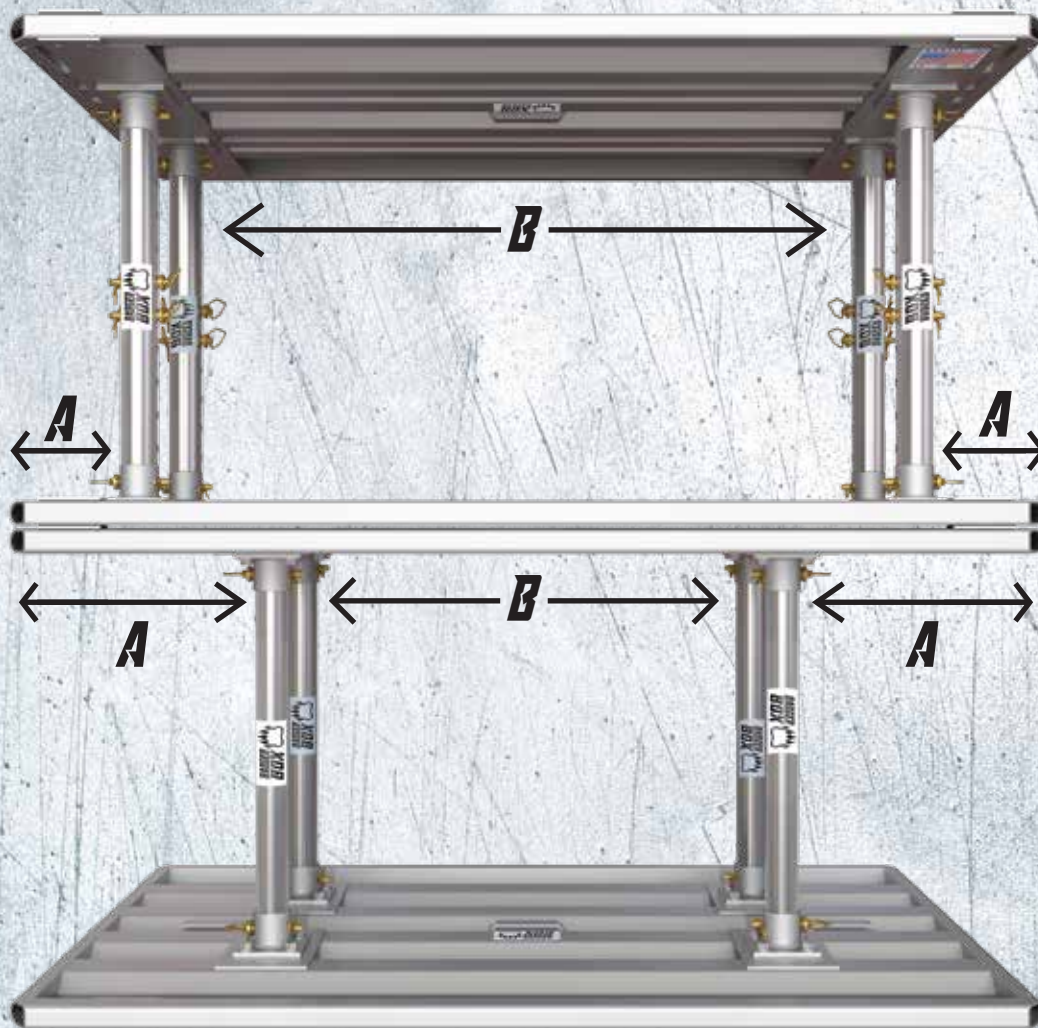
 **END LOCKING PANEL SIZES**  
36" 48" 60"

 **STOCK SPREADER SIZES**  
24" 30" 42" 54"

 **ADJUSTABLE SPREADER SIZES**  
24" - 36"  
30" - 42"  
40" - 54"  
36" - 60"

 **CUSTOM SIZES AVAILABLE**


# BADGER BOX SIZING





<b>BADGER BOX SIZE</b>	<b>A</b> DISTANCE TO END OF PANEL	<b>B</b> DISTANCE BETWEEN SPREADERS	<b>WEIGHT</b>	<b>DEPTH</b> RATING IN C-60
4x5 Badger Box	6"	40"	165 lbs	13
2x5 Badger Box	6"	40"	74 lbs	12
4x7 Badger Box	16"	45"	160 lbs	15
2x7 Badger Box	16"	45"	96 lbs	12
4x5 Badger Pro Series	6"	40"	170 lbs	15
2x5 Badger Pro Series	6"	40"	74 lbs	12
4x7 Badger Pro Series	6"	65"	210 lbs	14
2x7 Badger Pro Series	6"	65"	95 lbs	12
4x10 Badger Pro Series	24"	67"	300 lbs	12
4x12 Badger Pro Series	29"	81"	340 lbs	10

# YOU ASKED FOR IT, WE DELIVERED

## Your Challenge


 "The stacking kits fall through into the box when removing the pins, creating a huge pain for the guys in the field. Can you fix this?"

 "The feet on the legs are too narrow and just sink into the mud. Can you make them bigger?"


 "Attaching the sling to the collars is not very user friendly. Can you put a D ring somewhere?"



## Our Solution

 No slip stack kits



 Leg kits with a 5x5 foot pad providing 4X the ground coverage



 Lifting brackets (Pro Series Only)



At Allen Trench Safety we believe it is our job to keep you safe in the trenches, but we can never forget those who have kept us safe at home. Their sacrifices have allowed us the opportunity to chase the American dream.

May we never forget to honor and celebrate those who have given us this great gift. We proudly support the Wounded Warrior Project.

